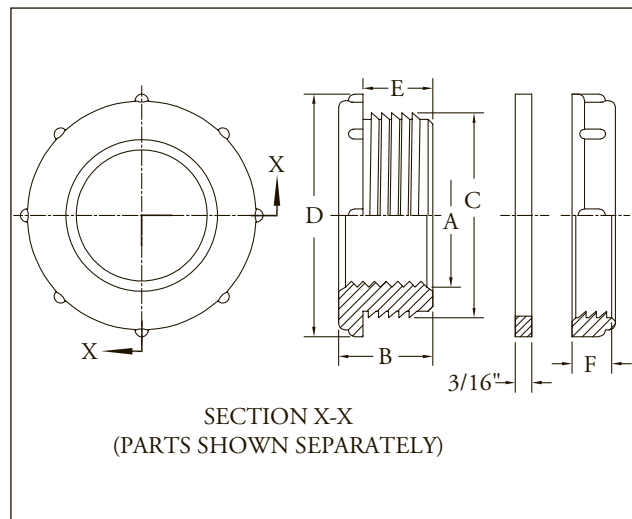
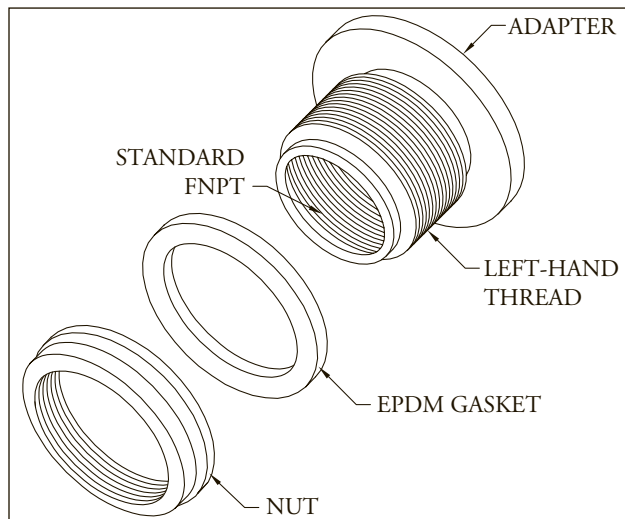


January 2001

Bulkhead Fittings

EPG Bulkhead Fittings can be used with any type of tank. They can be mounted at the tank top and house a level sensor for filling purposes or fitted with a ball valve at the bottom of the tank for draining.

- Chemical resistant
- Use in old or new tanks
- Use on flat or curved surfaces
- UV stabilized
- High stress, crack-resistant black polyethylene



A		B		C		D		E		F	
INCH	MM	INCH	MM	INCH	MM	INCH	MM	INCH	MM	INCH	MM
1/2 NPT	13	1 3/16	30	1 5/8	41	2 3/4	70	1 1/4	32	13/16	21
3/4 NPT	19	1 3/16	30	1 5/8	41	2 3/4	70	1 1/4	32	13/16	21
1 NPT	25	1 7/16	36	2 1/2	63	3 3/8	86	1 1/2	38	13/16	21
1 1/4 NPT	32	1 7/16	36	2 1/2	63	3 3/8	86	1 1/2	38	13/16	21
1 1/2 NPT	38	1 7/16	36	2 1/2	63	3 3/8	86	1 1/2	38	13/16	21
2 NPT	51	1 5/8	41	3 1/8	79	4 1/4	108	1 5/8	41	13/16	21
3 NPT	76	1 3/4	45	4 1/4	108	5 1/2	140	1 13/16	46	13/16	21
4 NPT	101	4 3/16	106	5 1/2	140	7	178	3 5/16	84	1	25