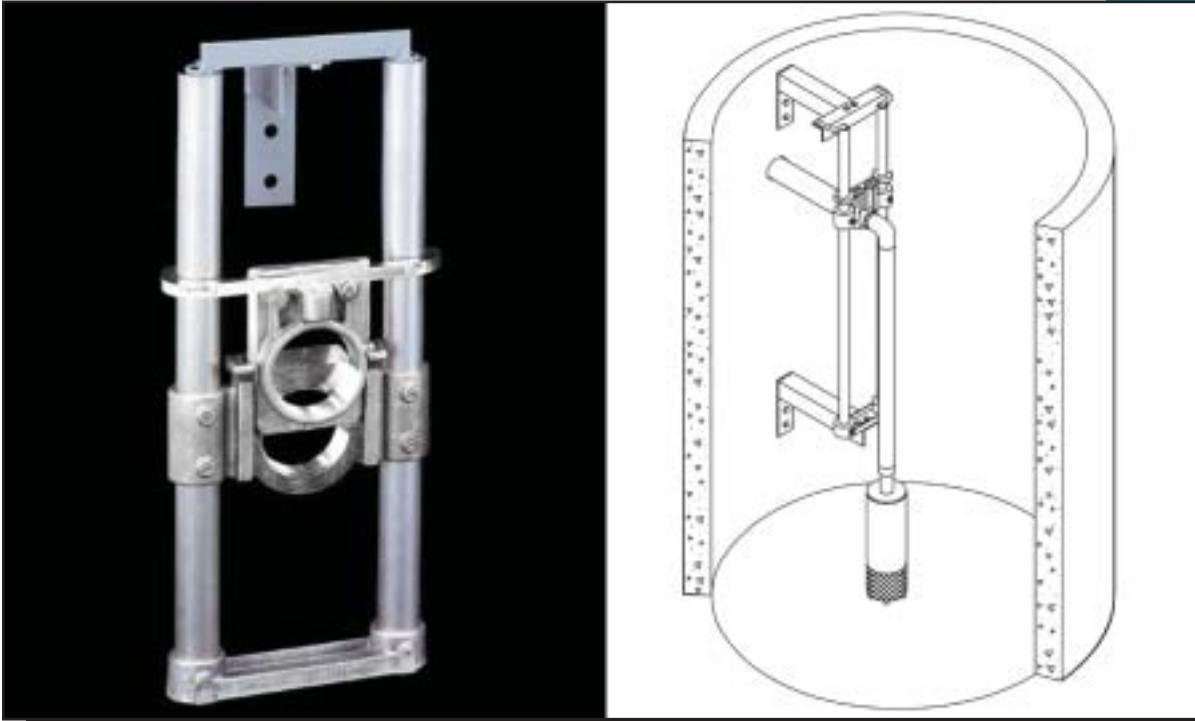


Heavy Duty

Guide Rail Disconnects



EPG's heavy duty guide rail disconnects are constructed from high quality materials for long life and durability. They are designed for use in any basin/pump combination with standard stainless steel guide rails for easy pump connection and disconnection. A unique feature in the guide rings allows the removable half of the disconnect to slide off the guide rails with out removing the top.

- ◆ 1/4 the cost of stainless steel
- ◆ Electroless nickel plated brass alloy castings
- ◆ Corrosion resistant
- ◆ High strength
- ◆ Designed for maximum service life and ease of maintenance
- ◆ Eliminates entrance of personnel in hazardous locations to make pump connections and disconnections
- ◆ Several sizes and configurations are available to fit most applications

**Manufacturer of
Environmental &
Industrial Solutions**



Mailing Address
P.O. Box 427
Rogers, MN 55374

Corporate Offices
1990 County Road 81
Maple Grove, MN 55311
www.epgco.com
info@epgco.com

Sold By:

(763) 424-2613

(800) 443-7426

FAX: (763) 493-4812

Bulletin 0289