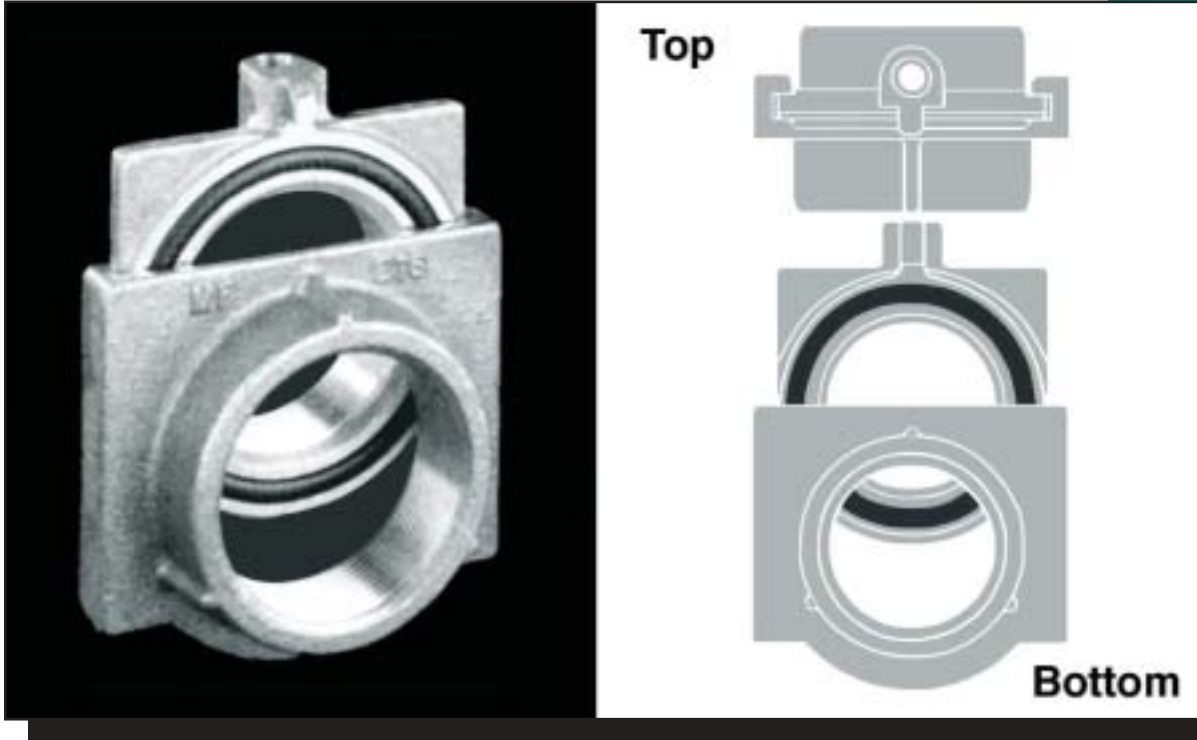


“NS” Series

# Disconnect Adapters



EPG's “NS” Series Disconnect Adapters are constructed from high quality materials with patented features. They are designed to fasten through a riser or sump wall for quick and easy pump disconnect applications.

- ◆ 1/3 the cost of stainless steel
- ◆ Electroless nickel plated brass alloy castings
- ◆ Corrosion resistant
- ◆ High strength
- ◆ Teflon coated neoprene O-ring
- ◆ Tapered slide/funnel fittings and O-ring features maximize liquid tight slip joint sealing
- ◆ Designed for maximum service life and ease of maintenance
- ◆ Easy pump connection/disconnection and eliminates the need for personnel to enter hazardous locations
- ◆ Several sizes and configurations are available to fit most applications

For more information, please call EPG Companies Inc.

Sold By:

(763) 424-2613

(800) 443-7426

FAX: (763) 493-4812

*Manufacturer of  
Environmental &  
Industrial Solutions*



*Mailing Address*  
P.O. Box 427  
Rogers, MN 55374

*Corporate Offices*  
19900 County Road 81  
Maple Grove, MN 55311  
[www.epgco.com](http://www.epgco.com)  
[info@epgco.com](mailto:info@epgco.com)

Bulletin 0287