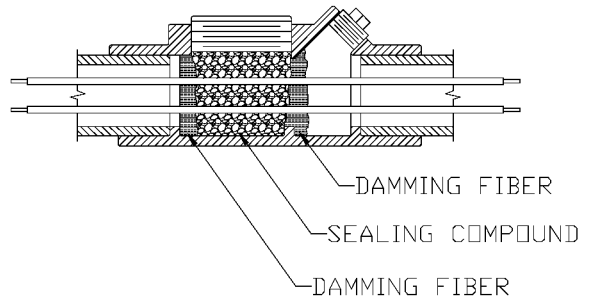
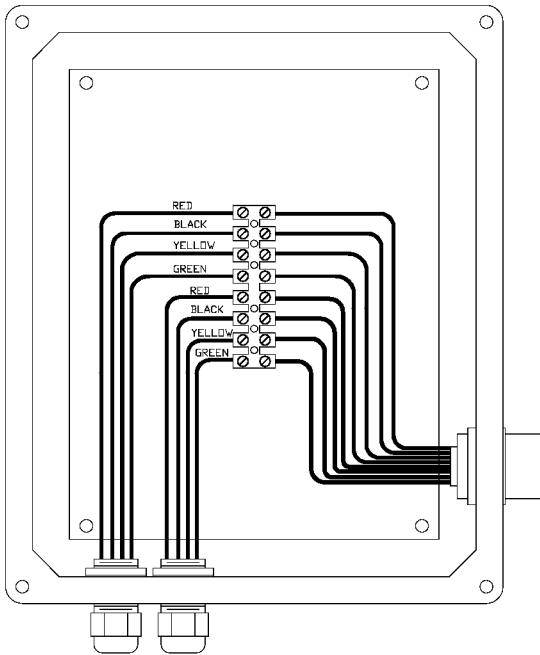
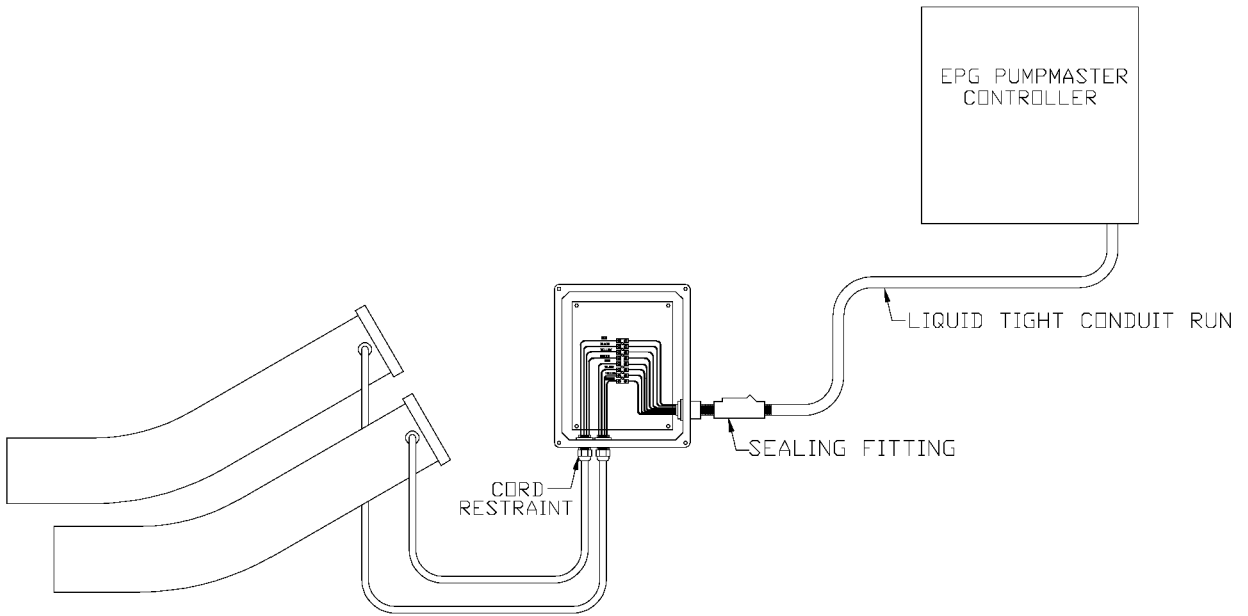


# BJBP 525

## DUPLEX BREAKOUT JUNCTION BOX FOR MOTOR LEAD



\* NOTICE \* © EPG Companies Inc. 2002

REFERENCE

TOLERANCES		REVISIONS			EPG COMPANIES				
(EXCEPT AS NOTED)		NO.	DATE	BY	TYPICAL INSTALLATION				
DECIMAL	±	1			DESIGN	R.C.C.	SCALE	NONE	MATERIAL
		2							
FRACTIONAL	±	3							
ANGULAR	±	4			CHK'D		APP'D		03626-0525
		5							