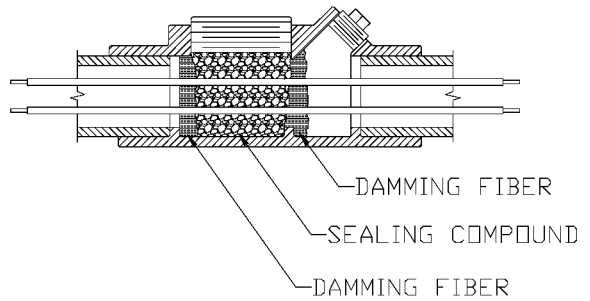
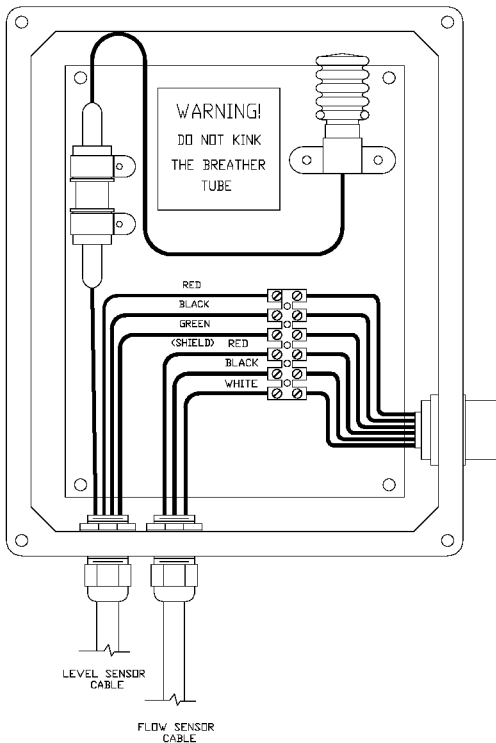
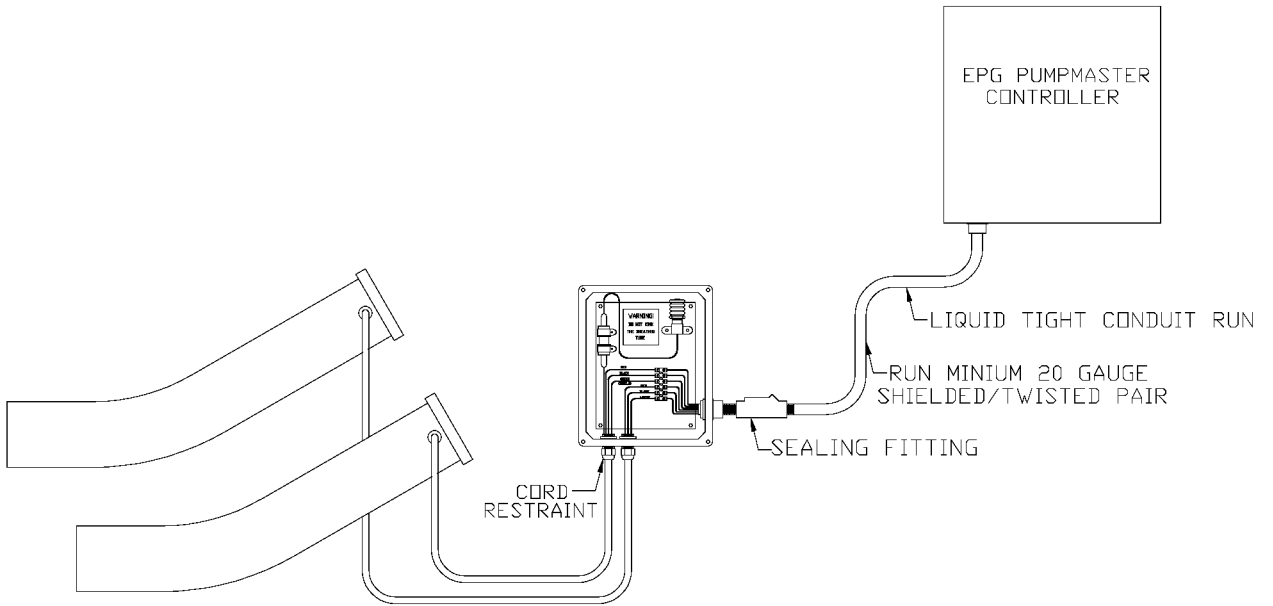


BJBO 800B

BREAKOUT JUNCTION BOX FOR LEVEL & FLOW SENSOR



* NOTICE * © EPG Companies Inc. 2002

REFERENCE

TOLERANCES		REVISIONS			EPG COMPANIES				
(EXCEPT AS NOTED)		NO.	DATE	BY	TYPICAL INSTALLATION				
DECIMAL		1			DESIGN	R.C.C.	SCALE	NONE	MATERIAL
FRACTIONAL		2			DRAWN	R.C.C.	DATE	08/19/02	DRAWING NO.
ANGULAR		3			CHECK'D		APP'D		02523-0800
		4							
		5							